



AIRBUS H145

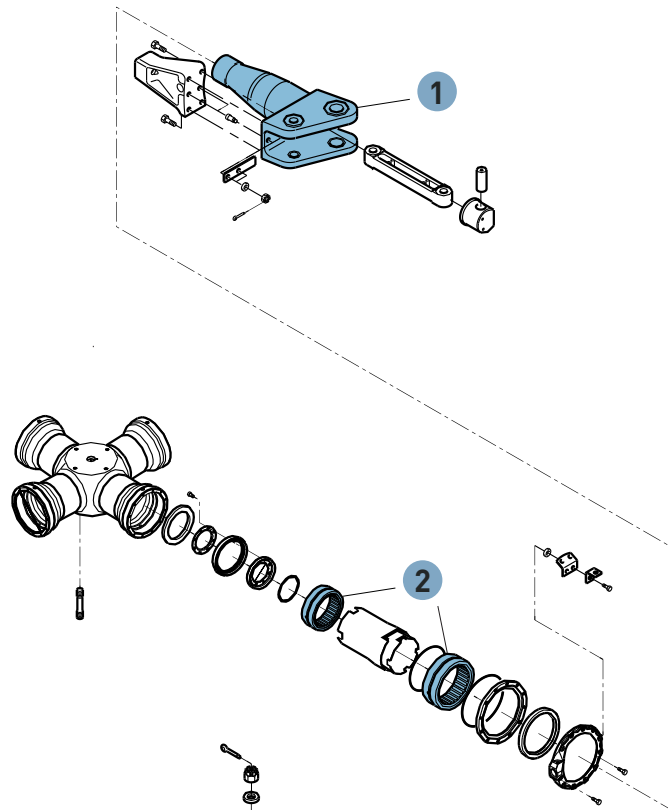
Able Aerospace is an industry-leader in maintenance, repair, overhaul, and exchange for rotor wing aircraft around the world. Don't see the repair or overhaul you're looking for? The opportunities are endless with Able – contact our team to learn more.

MAIN ROTOR & DRIVE LINK

MAIN ROTOR HEAD ASSEMBLY

1 Inner Sleeve Assembly | B622M1009XXX

2 Needle Bearing | F32827
F32828

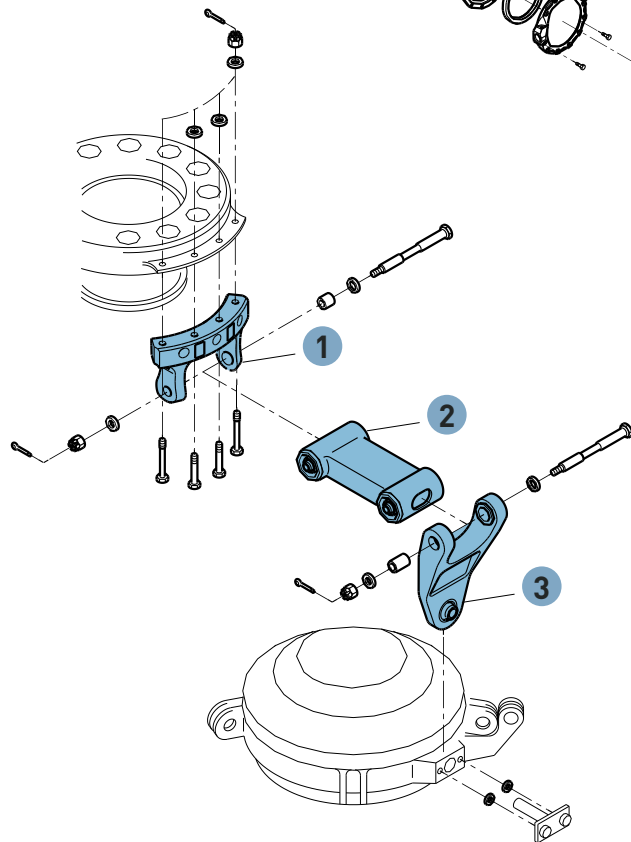


DRIVING LINK ASSEMBLY

1 Bearing Block Preassembly | B623M4012XXX

2 Driving Link Tube | B623M400512

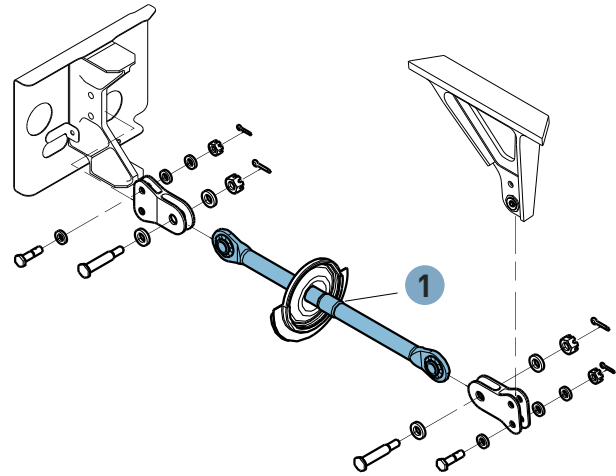
3 Fork Link Assembly | B623M4005102



MOUNTS & ROTOR BRAKE

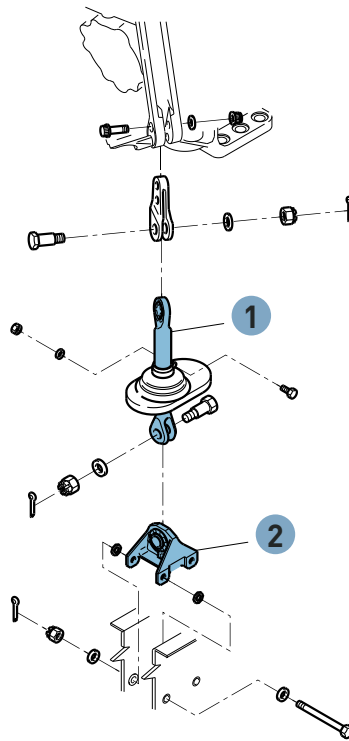
SIDE LOAD MOUNT

- 1 Rod Assembly | B633K1203-101



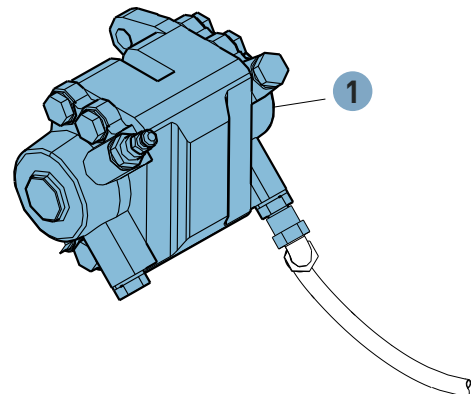
VERTICAL MOUNT

- 1 Stay Assembly | B633K1181-XXX
- 2 Fitting Assembly | B623M400512



ROTOR BRAKE

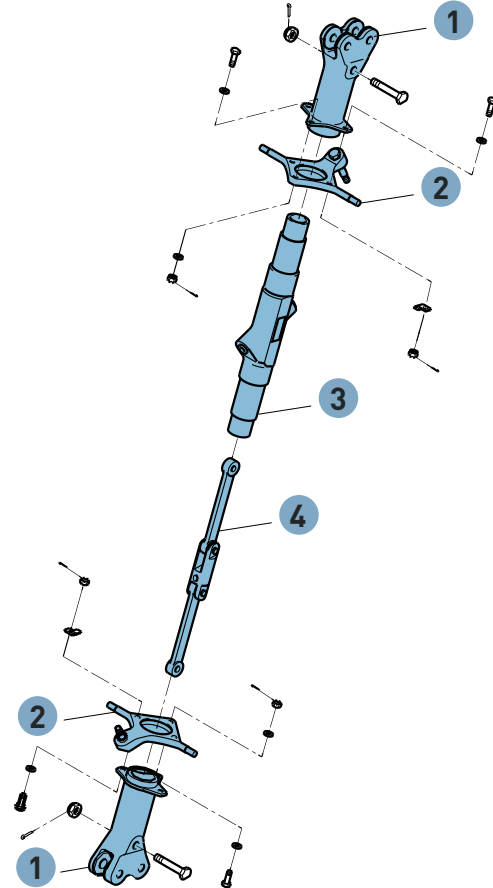
- 1 Brake Head Assembly | AHA1121



TAIL ROTOR HEAD & DRIVE

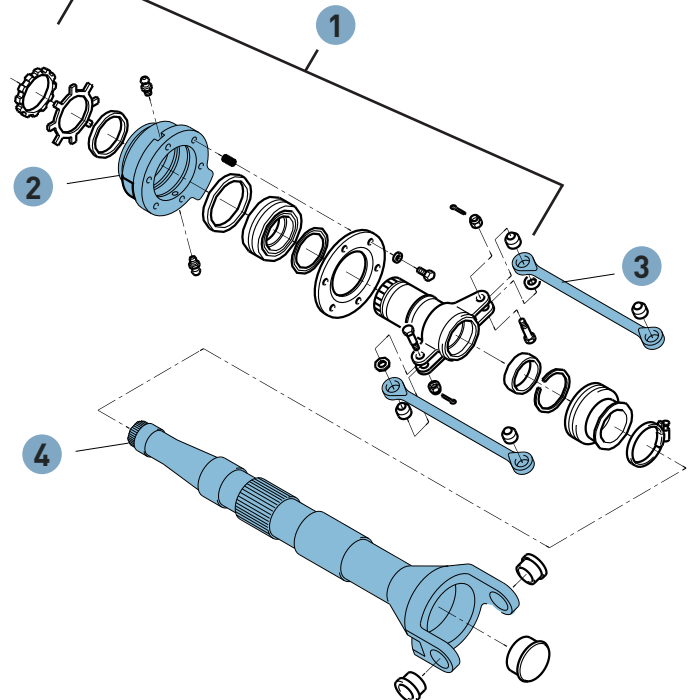
TAIL ROTOR HEAD

- 1 Blade Mounting Fork | B642M1003210
- 2 Control Lever | B642M1009XXX
- 3 Inner Sleeve Assembly | B642M1009XXX
- 4 Laminated Pile Assembly | B642M1005101



TAIL ROTOR SHAFT

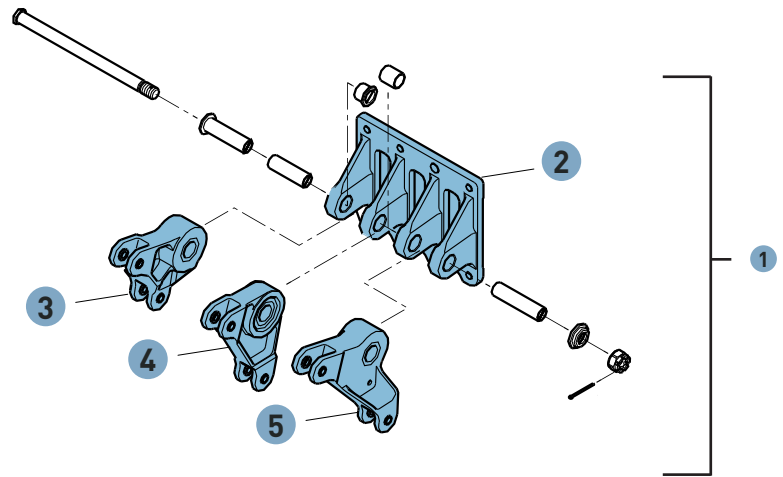
- 1 Sliding Sleeve Assembly | 105-31765V001
- 2 T/R Outer Ring | 105-31776
105-31777
- 3 Pitch Link Assembly | B642M1018XXX
- 4 T/R Shaft Assembly | 105-31803



BELLCRANK & LEVER

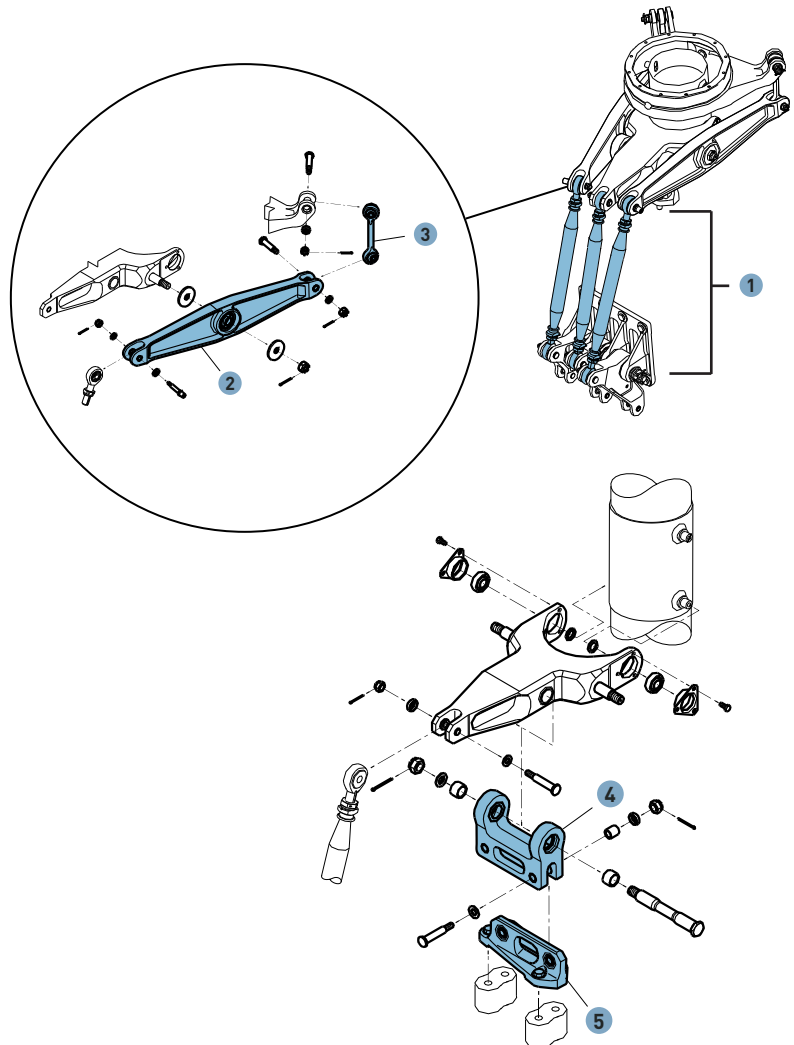
BELLCRANK

- 1 Bellcrank Assembly | B670M7020XXX
- 2 Bearing Block | B671M7003XXX
- 3 Bellcrank - L | B671M7003XXX
- 4 Bellcrank - K | B670M7021XXX
- 5 Bellcrank - Q | B671M7004XXX



MIXING LEVER

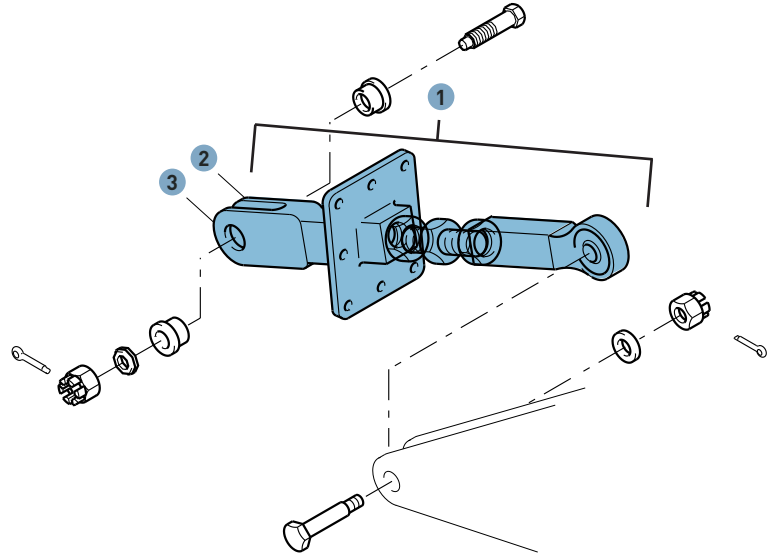
- 1 Control Rod Assembly | B671M3007XXX
- 2 Control Lever | 212-010-775-XXX
- 3 Control Rod | B671M7031XXX
B671M7032XXX
- 4 Hinge Support | B671M7017101
- 5 Bearing Block Assembly | B671M7016XXX



ENGINE MOUNT & CONTROL

ENGINE MOUNT

- 1 Sideward Link | B712M1003XXX
B712M2003XXX
- 2 Fork LH | 117-601091
- 3 Fork RH | 117-601101



ENGINE CONTROL

- 1 Override Spring Assembly | B761K2110-101

