



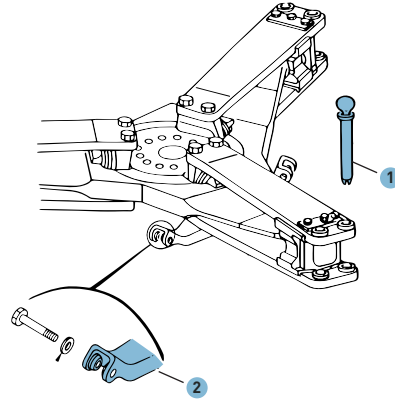
# AIRBUS H125/H130

Able Aerospace is an industry-leader in maintenance, repair, overhaul, exchange and PMA for rotor wing aircraft around the world. Don't see the repair or overhaul you're looking for? The opportunities are endless with Able – contact our team to learn more.

# MAIN ROTOR HUB & MAST

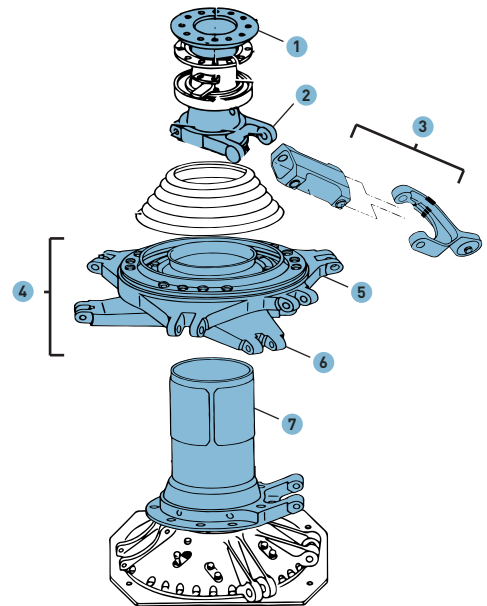
## MAIN ROTOR HUB

- 1 Blade Pin | 350A31-1770  
350A31-1771
- 2 Pitch Horn | 350A31-1877



## MAST

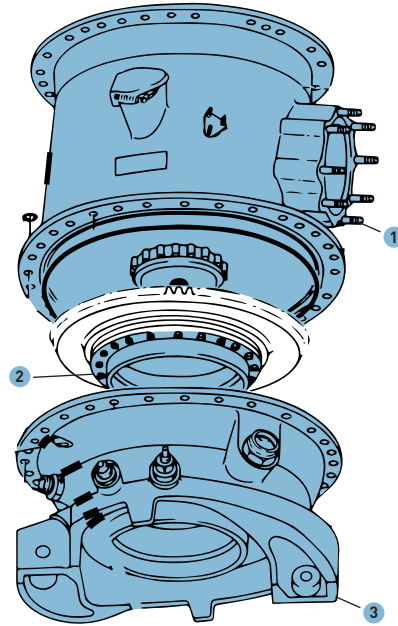
- 1 Main Rotor Mast | 350A37-XXXX
- 2 Scissor Drive Adapter | 350A37-1119
- 3 Scissor Links | 350A37-1126  
350A37-1127
- 4 Swashplate Assembly | 350A37-1004
- 5 Rotating Star | 350A37-1003
- 6 Non-Rotating Star | 350A37-1002
- 7 Upper Rotor Mast Housing | 350A37-1196



# TRANSMISSION & CROSSBEAM

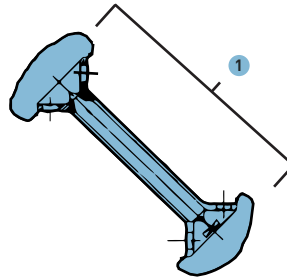
## TRANSMISSION

- 1 Main Transmission Case | 350A32-3121
- 2 Vertical Shaft | 350A32-3107
- 3 Lower Transmission Case | 350A32-3119



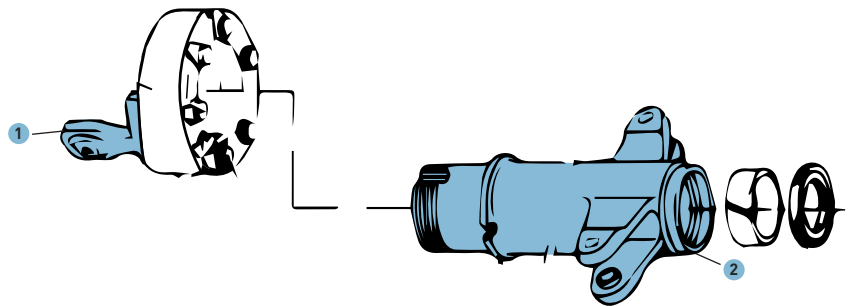
## CROSS BEAM

- 1 Cross Beam | 350A38-1040  
350A38-1041



## CONTROL PLATE

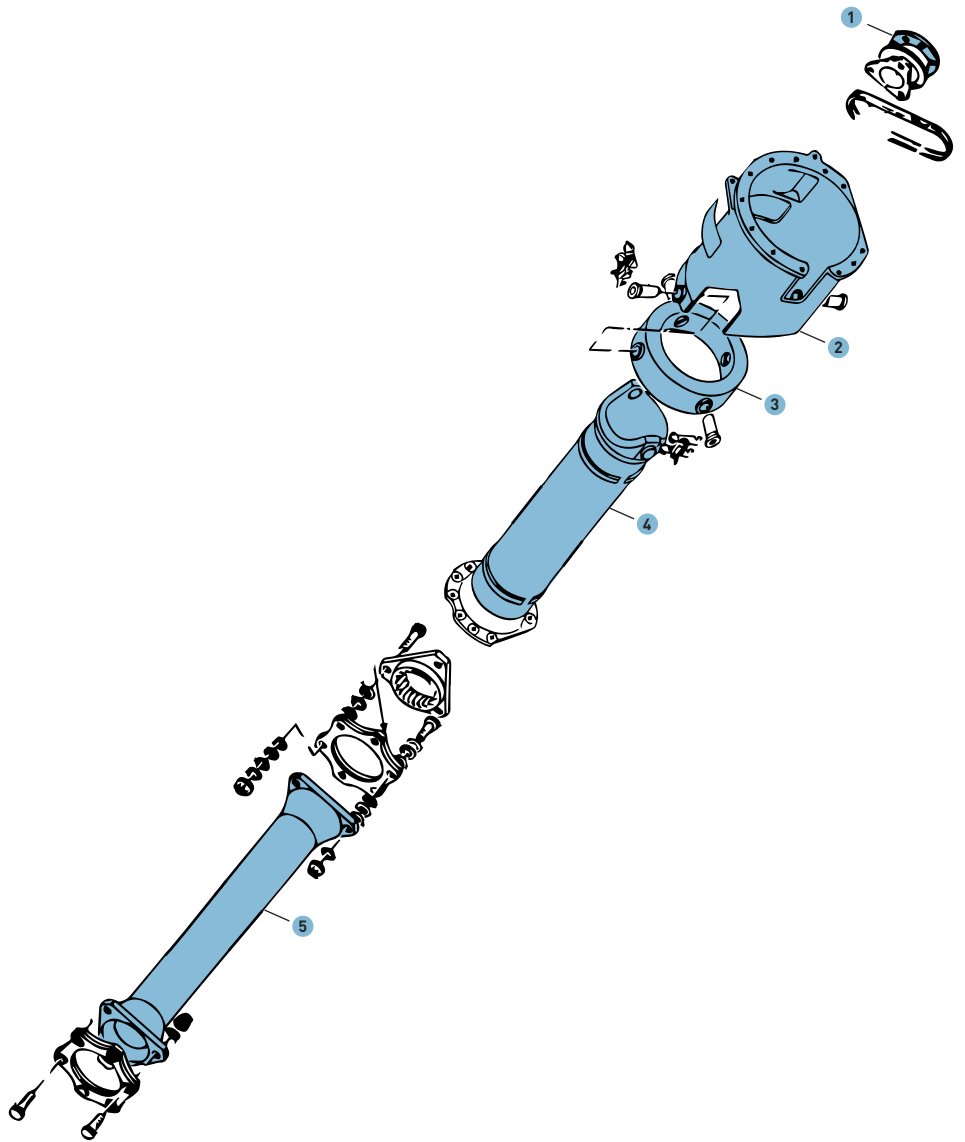
- 1 Spherical Bearing Yoke | 350A33-2150
- 2 Rotating Star | 350A33-2129



# COUPLING

## MAIN GEARBOX COUPLING

- 1 Driving Pulley | 350A35-1091
- 2 Gimbal Case Housing | 350A35-1104
- 3 Gimbal Ring | 350A35-1105
- 4 Flared Housing | 350A35-1102
- 5 Coupling Shaft | 350A35-1100



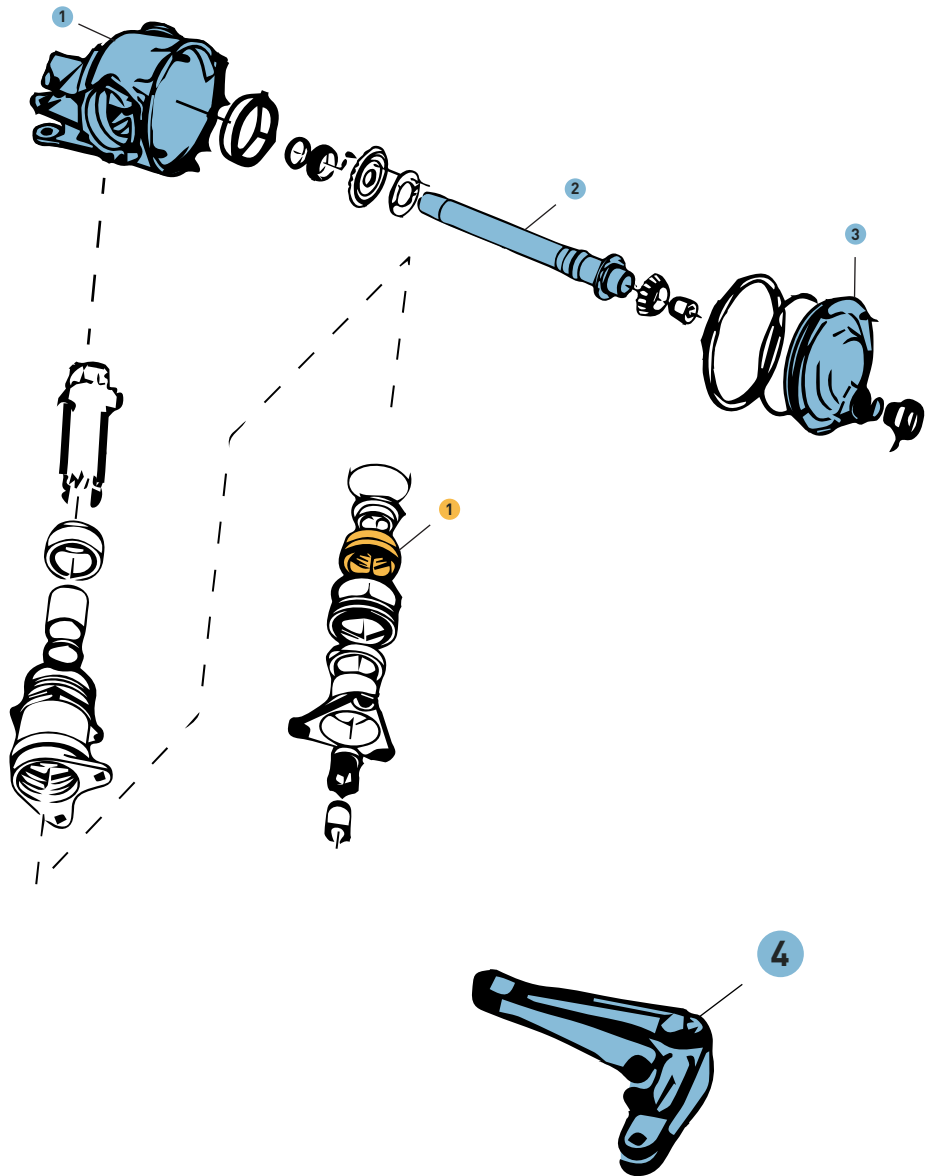
# TAIL ROTOR GEARBOX

## TAIL ROTOR GEARBOX

- 1 T/R Gearbox Housing | 350A33-1090
- 2 T/R Drive Shaft | 350A33-1092
- 3 T/R Gearbox Cover | 350A33-1011
- 4 Control Lever | 350A33-1526

## APPROVED REPLACEMENT PARTS

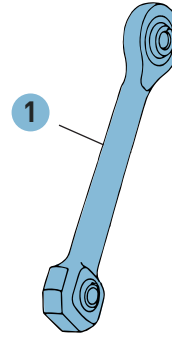
- 1 T/R Gearbox Mag Seal | 704A39812004



# TAIL ROTOR HEAD & HUB

## TAIL ROTOR HEAD

- 1 Pitch Change Rod Assembly | 350A33-2145



## TAIL ROTOR HUB

- 1 Chin Weights | 350A33-3160  
350A33-3170

