



BELL 412

Able Aerospace is an industry-leader in maintenance, repair, overhaul, exchange and PMA for rotor wing aircraft around the world. Don't see the repair or overhaul you're looking for? The opportunities are endless with Able – contact our team to learn more.

MAIN ROTOR HUB & MAST

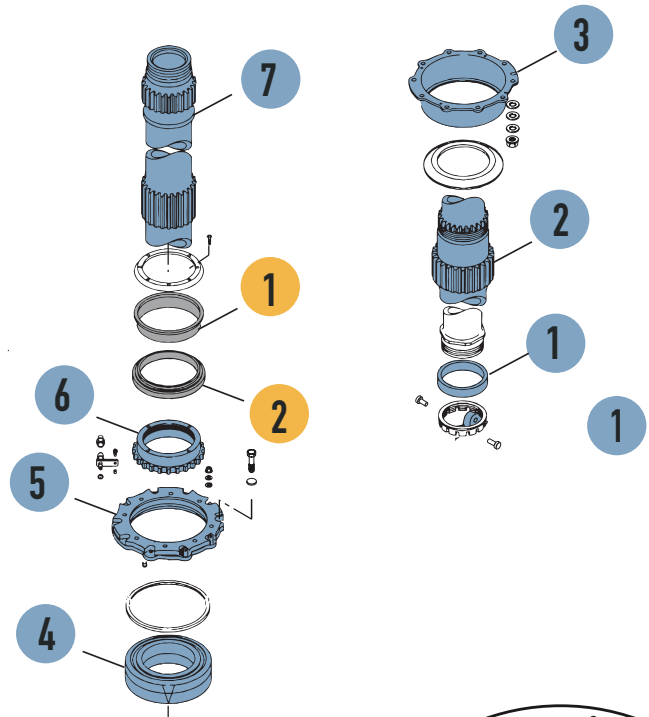
MAST

REPAIRS & OVERHAULS

- 1 Race | 204-040-270-XXX
- 2 Mast Assembly | 412-040-101-XXX
- 3 Mast Liner | 412-040-102-XXX
- 4 Mast Bearing | 214-040-125-XXX
412-340-125-XXX
- 5 Mast Plate Assembly | 412-040-103-XXX
- 6 Mast Bearing Retention Nut | 412-040-104-XXX
- 7 Mast Assembly | 412-040-366-XXX

APPROVED REPLACEMENT PARTS

- 1 Sleeve | 536841AA
- 2 Seal | 4AA-340-001-101



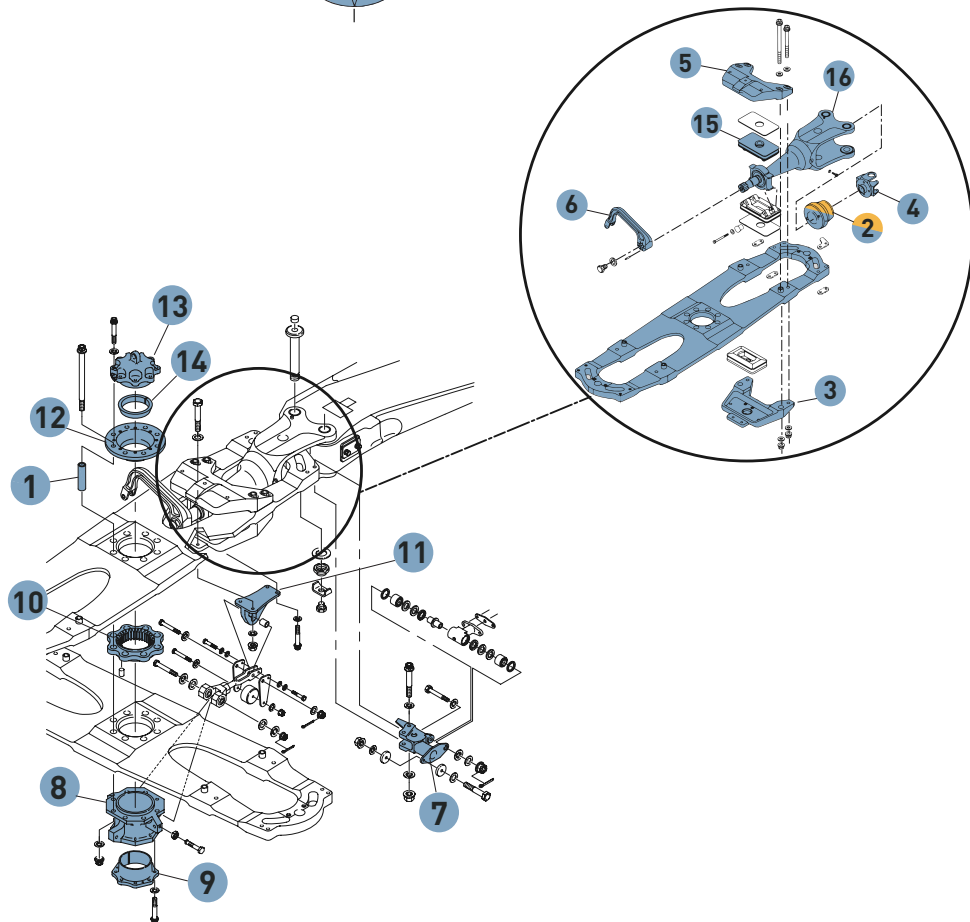
MAIN ROTOR HUB

REPAIRS & OVERHAULS

- 1 Drive Pin | 412-010-166-XXX
- 2 Pivot Bearing | 412-010-106-XXX
- 3 Vibration Damper Lower Bridge | 412-010-170-XXX
- 4 Fitting | 412-010-111-XXX
- 5 Upper Bridge Assembly | 412-010-183-XXX
- 6 Pitch Horn Assembly | 412-010-149-XXX
- 7 Leading/Trailing Edge Bracket Assy | 412-010-264-XXX
- 8 Lower Cone Seat | 412-018-056-XXX
- 9 Cone | 412-010-179-XXX
- 10 Spline Plate | 412-010-177-XXX
- 11 Hub Assembly Cam Plate | 412-018-060-XXX
412-010-206-XXX
- 12 Upper Cone Seat | 412-010-186-XXX
- 13 Cap Assembly | 412-010-160-XXX
412-010-161-XXX
412-010-171-XXX
- 14 Cone | 412-010-165-XXX
- 15 Damper Set | 412-310-146-XXX
- 16 Spindle Assembly | 412-010-156-XXX

APPROVED REPLACEMENT PARTS

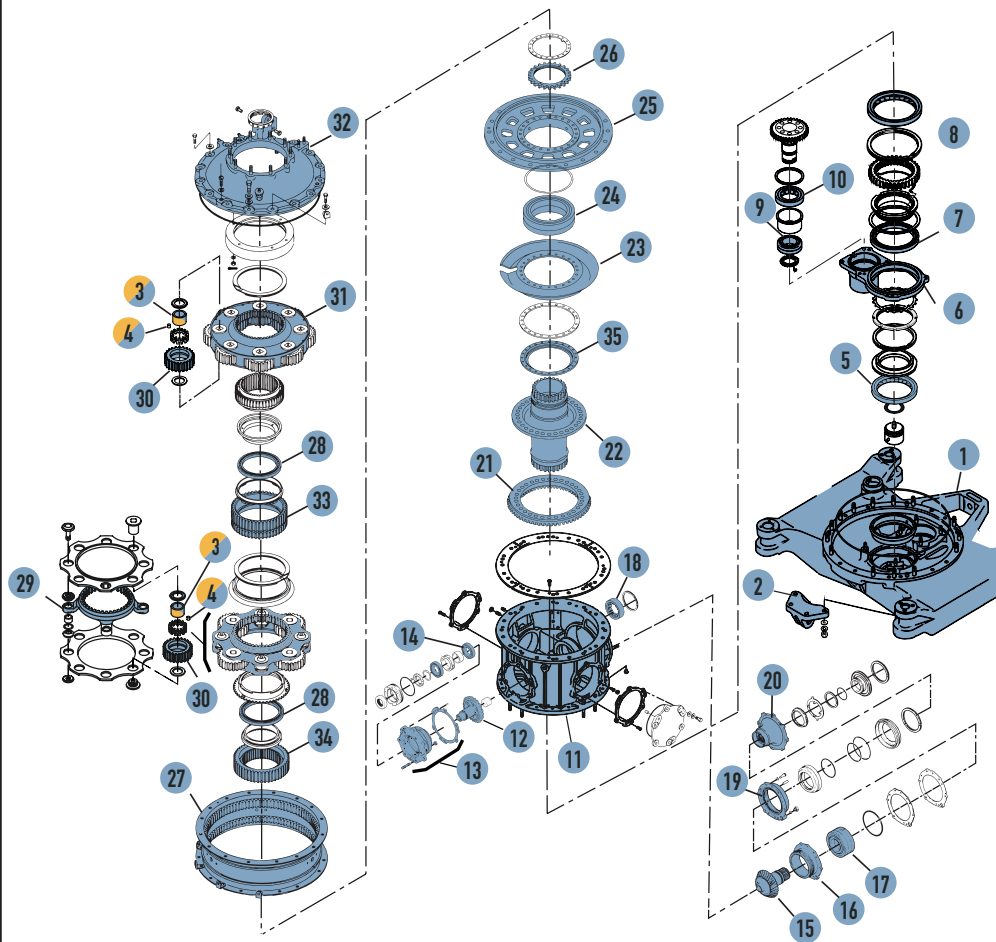
- 2 Pivot Bearing | 4AA-010-106-101



TRANSMISSION

REPAIRS & OVERHAULS

- 1 Main Support Case | 212-040-054-XXX*
- 2 Lift Link Fitting | 212-040-106-XXX
- 3 Bearing Race | 204-040-132-XXX
- 4 Roller Bearing Set | 204-040-725-XXX
- 5 Bearing | 204-040-270-XXX
- 6 Offset Drive Sleeve | 212-040-203-XXX
- 7 Planetary Ball Bearing | 204-040-135-XXX
- 8 Bearing | 204-040-271-XXX
- 9 Duplex Ball Bearing | 204-040-424-XXX
- 10 Roller Bearing | 212-040-210-XXX
- 11 Transmission Case | 212-040-053-XXX
- 12 Pinion Assembly | 412-040-302-XXX
- 13 Sleeve Assembly | 204-040-399-XXX
- 14 Duplex Bearing | 204-040-424-XXX
- 15 Input Pinion Gear | 412-040-700-XXX
- 16 Sleeve | 412-040-137-XXX
- 17 Triplex Bearing | 214-040-118-XXX
- 18 Bearing | 205-040-249-XXX
- 19 Cap Assembly | 412-040-264-XXX
- 20 Input Adapter | 412-040-136-XXX
- 21 Bevel Gear | 204-040-701-XXX
- 22 Input Gearshaft | 204-040-324-XXX
- 23 Collector Assembly | 212-040-146-XXX
- 24 Bearing Set | 205-040-245-XXX
- 25 Gearshaft Support Case | 412-040-385-XXX
204-040-386-XXX
- 26 Nut | 204-040-122-XXX
- 27 Ring Gear | 205-040-231-XXX
- 28 Bearing | 204-040-135-XXX
- 29 Lower Planetary Spider | 412-040-785-XXX
- 30 Gear | 205-040-233-XXX
- 31 Planetary Assembly | 204-040-360-XXX
- 32 Transmission Top Case | 212-040-059-XXX
- 33 Upper Sun Gear | 205-040-320-XXX
- 34 Lower Sun Gear | 205-040-229-XXX
- 35 Plate | 204-040-357-XXX



APPROVED REPLACEMENT PARTS

- 3 Bearing Race | 2AA-040-131-001
- 4 Roller Bearing Set | 2AA-040-725-003

*FAA approved AMOC for AD 2022-20-14

DRIVE SHAFT & 42° GEARBOX

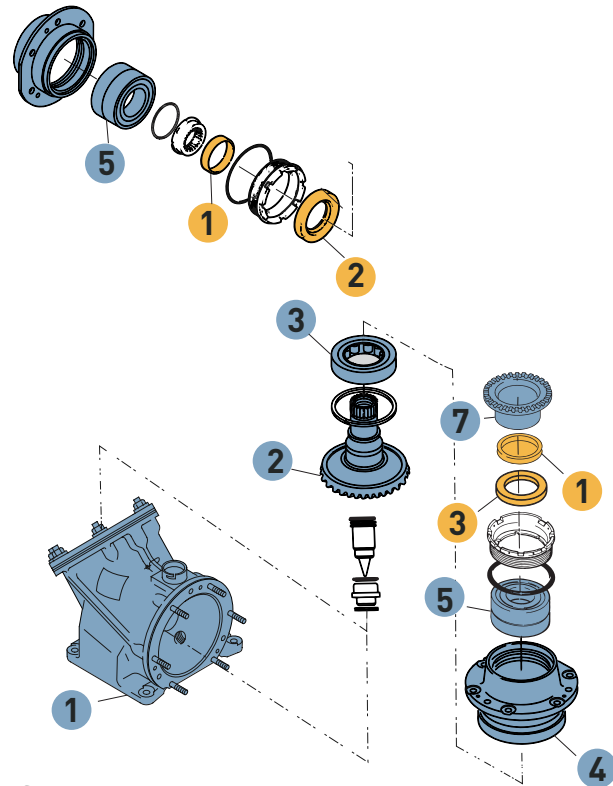
42° GEARBOX

REPAIRS & OVERHAULS

- 1 42° Gearbox Case | 212-040-506-XXX
- 2 Gear Assembly | 212-040-151-XXX
- 3 Roller Bearing | 212-040-210-XXX
- 4 42° Gearbox Input Sleeve | 212-040-502-XXX
- 5 Duplex Bearing | 212-040-143-XXX
- 6 Sleeve | 212-040-502-XXX
- 7 Coupling | 204-040-604-XXX

APPROVED REPLACEMENT PARTS

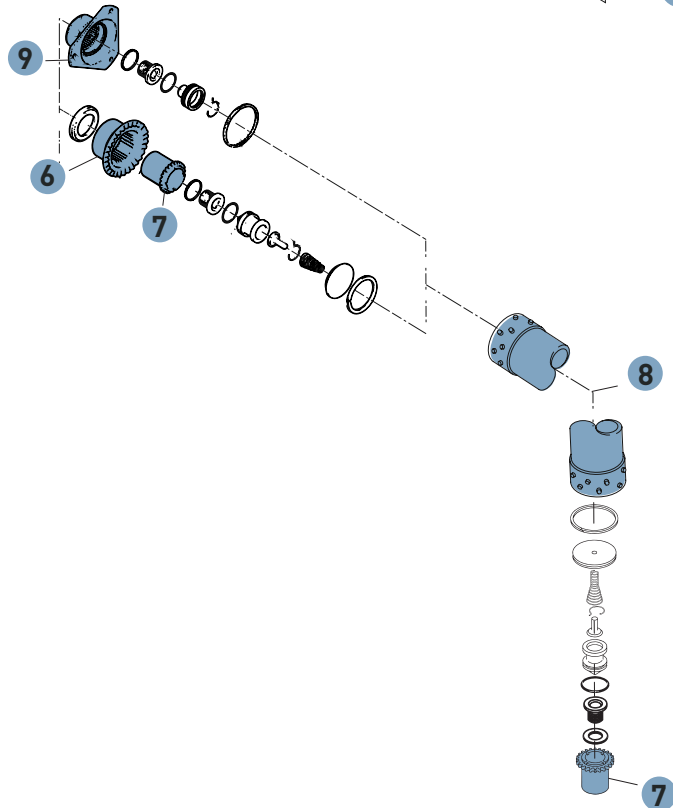
- 1 Sleeve | 2AA-340-401-101
- 2 Seal | 4AA-340-105-103
- 3 Seal | 4AA-340-100-101



TAIL ROTOR DRIVE SHAFT

REPAIRS & OVERHAULS

- 6 Coupling | 204-040-604-XXX
- 7 Coupling | 204-040-603-XXX
- 8 T/R Driveshaft Assembly | 412-040-621-XXX
- 9 Quill Assembly Adapter | 412-040-624-XXX

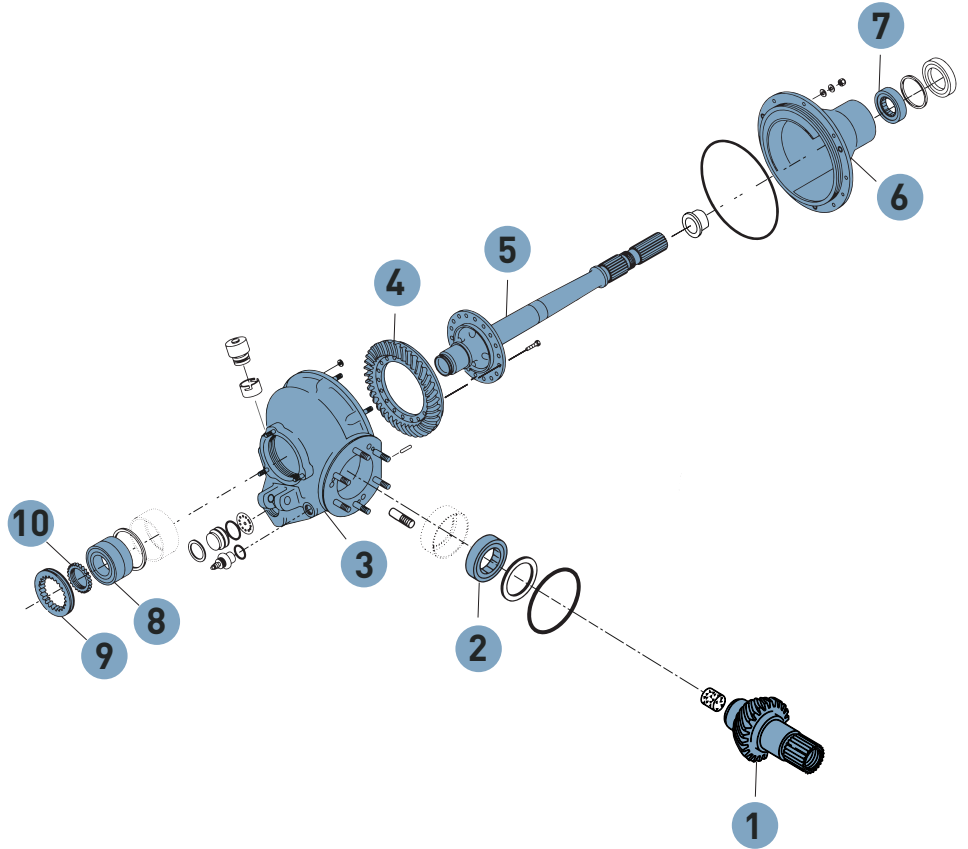


TRGB, HUB & BLADE

TAIL ROTOR GEARBOX

REPAIRS & OVERHAULS

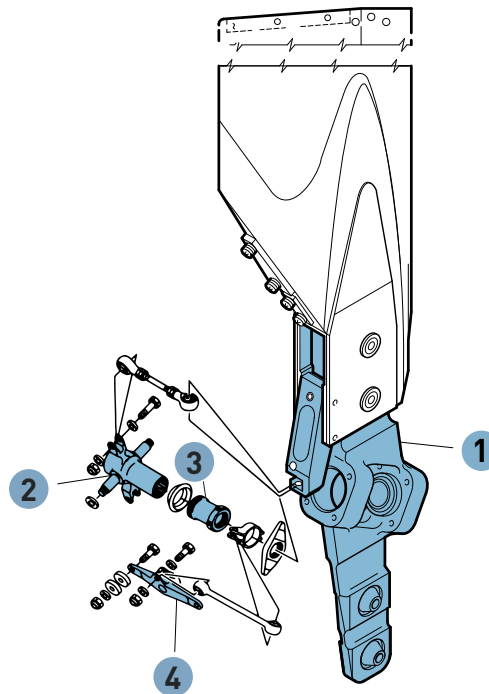
- 1 Pinion Assembly | 212-040-450-XXX
- 2 Bearing | 212-040-455-XXX
- 3 T/R Gearbox Case | 212-040-468-XXX
- 4 Gear | 212-040-451-XXX
- 5 T/R Output Shaft | 212-040-462-XXX
- 6 T/R Output Sleeve | 212-040-452-XXX
- 7 Bearing | 212-040-466-XXX
- 8 Duplex Bearing | 212-040-456-XXX
- 9 Nut | 212-040-470-XXX
- 10 Nut | 204-040-412-XXX



TAIL ROTOR HUB & BLADE

REPAIRS & OVERHAULS

- 1 Hub and Blade Assembly | 212-011-701-XXX
- 2 T/R Crosshead | 212-010-775-XXX
- 3 Nut | 212-010-706-XXX
- 4 Bellcrank Assembly | 212-011-705-XXX



HYDRAULICS

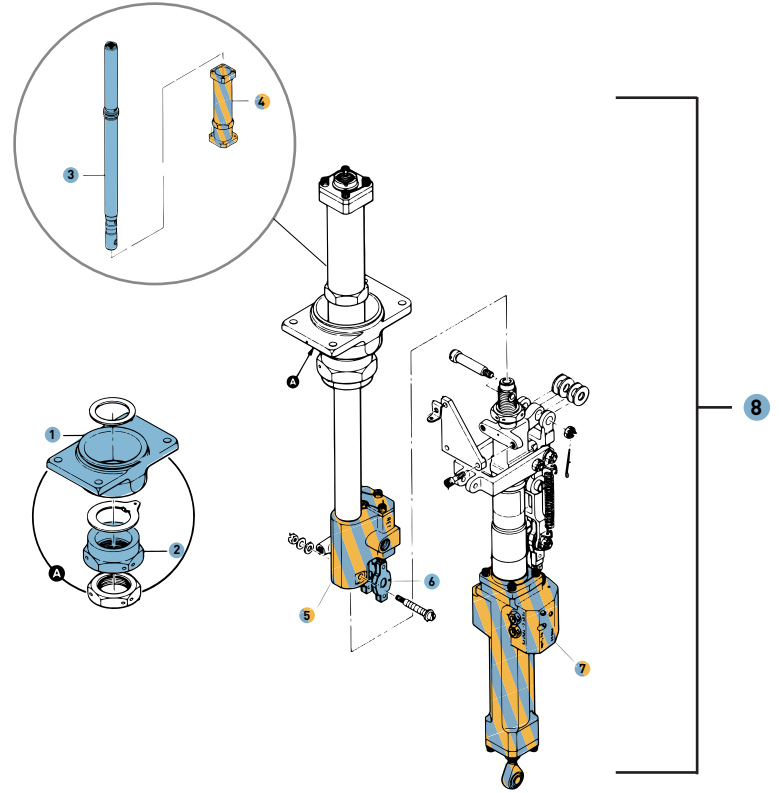
MAIN ROTOR SERVO ACTUATOR

REPAIRS & OVERHAULS

- 1 Mounting Bracket | 212-076-116
- 2 Bearing Nut | 212-076-118
- 3 Upper Piston Assembly | 41000643
- 4 Cylinder | 41004687
- 5 Upper Housing Assembly | 41003203
- 6 Link Assembly | 41005471-101
- 7 Lower Cylinder Assembly | 41004683
- 8 M/R Servo Actuator Assembly | 212-076-005-XXX

APPROVED REPLACEMENT PARTS

- 4 Cylinder | 41004687AA
- 5 Upper Housing Assembly | 41003203AA
- 7 Lower Cylinder Assembly | 41004683AA



TAIL ROTOR SERVO ACTUATOR

REPAIRS & OVERHAULS

- 1 Cylinder Housing Assembly | 41000875
- 2 Piston Rod Assembly | 41000589
- 3 Housing Assembly | 41000564
- 4 Link Assembly | 41005471-XXX
- 5 Lever Assembly | 41000569
41001687
- 6 Yoke Assembly | 41000577
- 7 Cylinder Cap | 41000877
- 8 T/R Servo Actuator Assembly | 212-076-004-XXX

APPROVED REPLACEMENT PARTS

- 1 Bushing | 41000614AA-001
- 2 Cylinder Housing Assembly | 41004577AA
- 3 Housing Assembly | 41000564AA

