



BELL 407

Able Aerospace is an industry-leader in maintenance, repair, overhaul, exchange and PMA for rotor wing aircraft around the world. Don't see the repair or overhaul you're looking for? The opportunities are endless with Able – contact our team to learn more.

MAIN ROTOR HUB & MAST

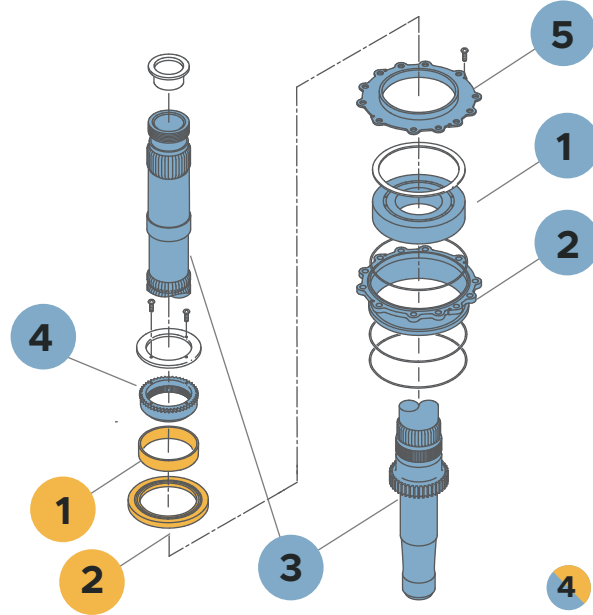
MAST

REPAIRS & OVERHAULS

- 1 Upper Ball Bearing | 406-040-036-XXX
- 2 Liner | 406-040-092-XXX
- 3 Mast Assembly | 407-040-038-XXX
- 4 Nut | 406-040-090-XXX
- 5 Plate | 406-040-093-XXX

APPROVED REPLACEMENT PARTS

- 1 Wear Sleeve | 099380AA
- 2 Seal | 4AA-340-005-101



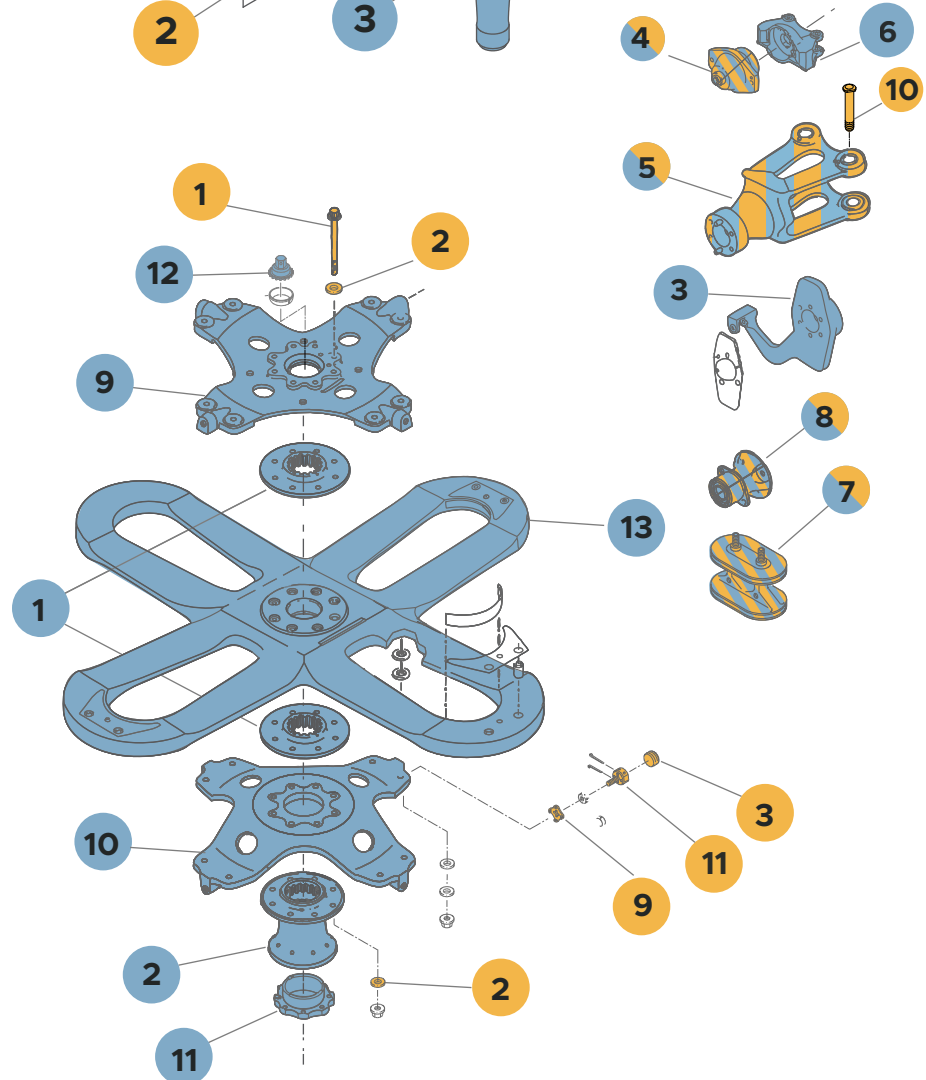
MAIN ROTOR HUB

REPAIRS & OVERHAULS

- 1 Drive Ring Set | 406-010-126-XXX
- 2 Lower Cone Seat | 407-010-107-XXX
- 3 Pitch Horn Assembly | 407-010-103-XXX
- 4 Lead Lag Bearing | 407-310-102-XXX
- 5 Grip Assembly | 406-010-108-XXX
- 6 Adapter Assembly | 406-010-107-XXX
- 7 Lead Lag Damper | 407-310-100-XXX
- 8 Shear Bearing | 407-310-101-XXX
- 9 Upper Plate Assembly | 406-010-115-XXX
- 10 Lower Plate Assembly | 406-010-117-XXX
- 11 Lower Cone | 407-010-104-XXX
- 12 Mast Nut | 407-010-106-XXX
- 13 Yoke Assembly | 407-010-101-XXX

APPROVED REPLACEMENT PARTS

- 1 Bolt | 20-065-07074CAAA
- 2 Washer | 140-007-28T24E6AA
- 3 Plug | 4AA-010-121-101
- 4 Lead Lag Bearing | 4AA-310-102-XXX
- 5 Grip Assembly | 4AA-010-108-XXX
- 7 Lead Lag Damper | 4AA-310-102-101
- 8 Shear Bearings | 4AA-310-101-105
- 9 Droop Stop Lock | 4AA-010-123-XXX
- 10 Blade Bolt Assembly | 4AA-010-120-101
- 11 Stud for Droop Stop | 4AA-010-105



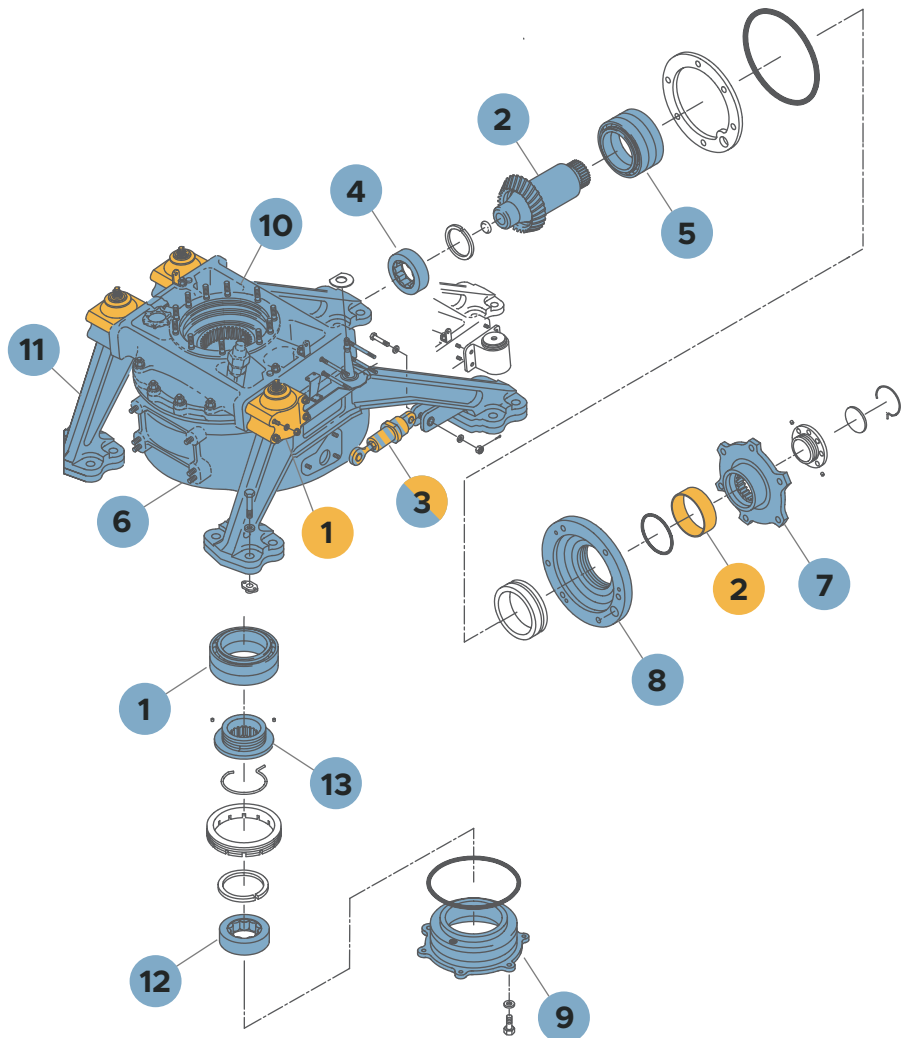
TRANSMISSION

REPAIRS & OVERHAULS

- 1 Duplex Bearing | 407-340-032-XXX
- 2 Pinion Assembly | 407-040-034-XXX
407-040-041-XXX
- 3 Spring Assembly | 407-010-206-XXX
- 4 Bearing | 407-340-031-XXX
- 5 Triplex Bearing | 406-040-030-XXX
- 6 Case Assembly | 407-040-050-XXX
- 7 Adapter | 407-040-108-XXX
407-040-104-XXX
- 8 Housing Assembly | 407-040-056-XXX
400-040-055-XXX
- 9 Support Assembly | 407-040-054-XXX
- 10 Top Case Assembly | 406-040-052-XXX
- 11 Pylon Beam Assembly | 407-010-201-XXX
407-010-203-XXX
- 12 Bearing | 406-040-037-XXX
- 13 Nut | 400-040-082-XXX

APPROVED REPLACEMENT PARTS

- 1 Corner Mount | 4AA-310-203-101
- 2 Wear Sleeve | 4AA-340-004-101
- 3 Spring Assembly | 4AA-010-206-103



SWASHPLATE & ACCESSORIES

SWASHPLATE

REPAIRS & OVERHAULS

- 1 Outer Swashplate Cap Assembly | 406-010-419-XXX
- 2 Inner Swashplate Cap | 406-010-418-XXX
- 3 Swashplate Assembly Bearing | 406-310-402-XXX
- 4 Drive Link Bearing and Liner | 406-010-417-XXX
- 5 Outer Ring Assembly | 406-010-411-XXX
- 6 Collective Lever Link Assembly | 406-010-407-XXX
- 7 M/R Collective Lever Assembly | 406-010-408-XXX
- 8 Pivot Sleeve Assembly | 406-010-409-XXX
- 9 Swashplate Inner Ring Assembly | 406-010-410-XXX
- 10 M/R Controls Link Assembly | 406-010-432-XXX
- 11 Anti-Drive Lever Assembly | 406-010-431-XXX
- 12 Swashplate Support Assembly | 406-010-406-XXX

APPROVED REPLACEMENT PARTS

- 1 Bearing Seal | 4AA-310-407-101
- 2 Rotating Controls Spacer | 4AA-010-458-101
- 3 Swashplate Sleeve Bearing | 4AA-310-410-101
- 4 Rotating Controls Spacer | 4AA-010-421-103
- 5 Rotating Controls Bushing | 4AA-010-422-107
- 6 Spacer | 4AA-010-458-101
- 7 Collective Level Pivot Pin | ABLE-2844-001

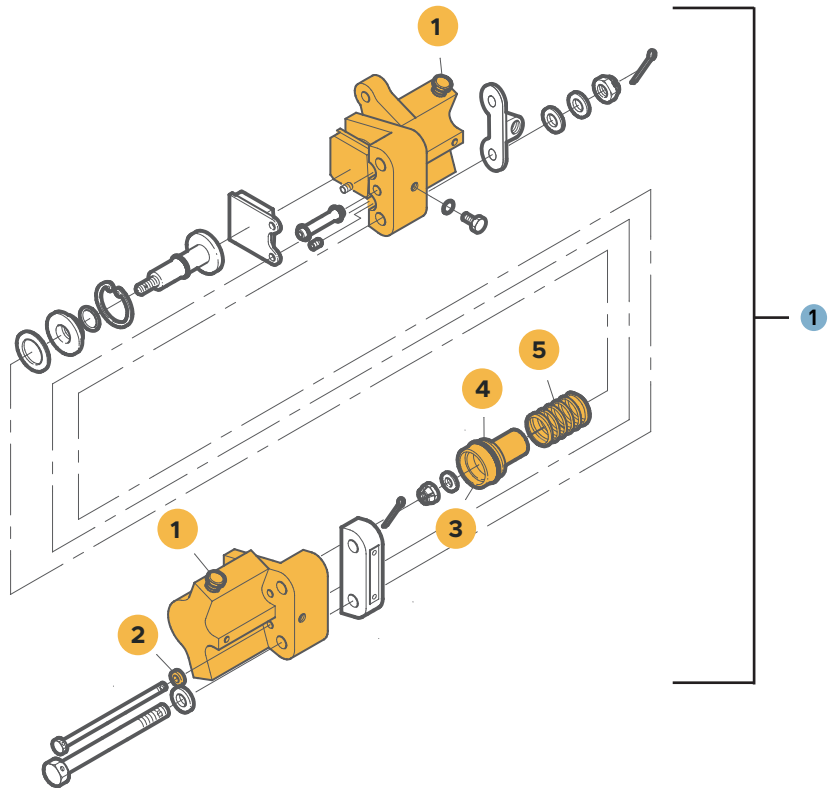
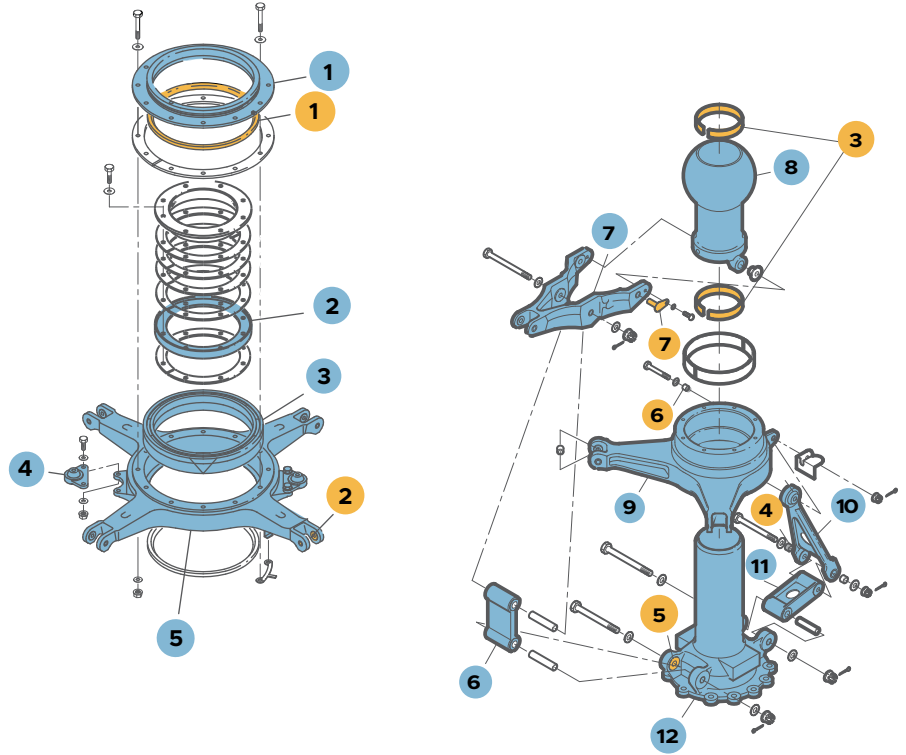
ROTOR BRAKE

REPAIRS & OVERHAULS

- 1 Rotor Brake | 206-706-502-XXX

APPROVED REPLACEMENT PARTS

- 1 Bleeder Valve | D0151-X
- 2 Washer | D0168-X
- 3 Piston | D0135-1
- 4 Rear Seat | D0136-2
- 5 Spring | D0142-1



TRGB, HUB & BLADE

TAIL ROTOR GEARBOX

REPAIRS & OVERHAULS

- 1 Output Shaft | 406-040-416-XXX
407-040-416-XXX
- 2 T/R Gearbox Case Assembly | 406-040-406-XXX
- 3 Input Adapter | 406-040-440-XXX
407-040-440-XXX
- 4 T/R Gearbox Cap Assembly | 406-040-408-XXX
- 5 Output Shaft Roller Bearing | 406-040-433-XXX
- 6 Duplex Bearing | 406-040-430-XXX
- 7 Input Pinion Roller Bearing | 406-040-431-XXX
- 8 Duplex Bearing | 406-040-432-XXX

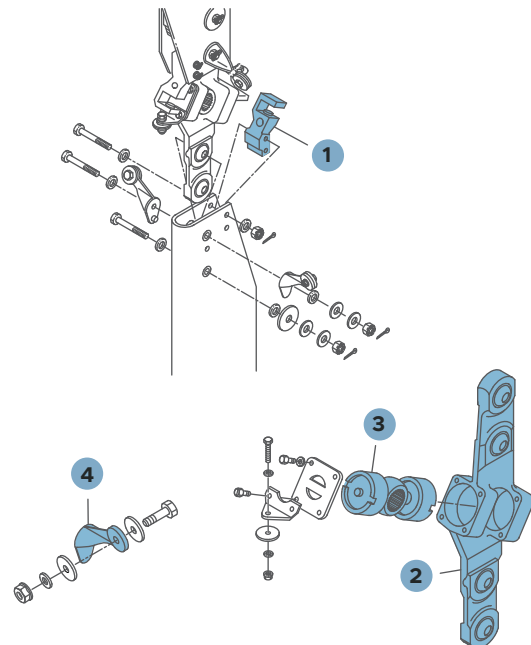
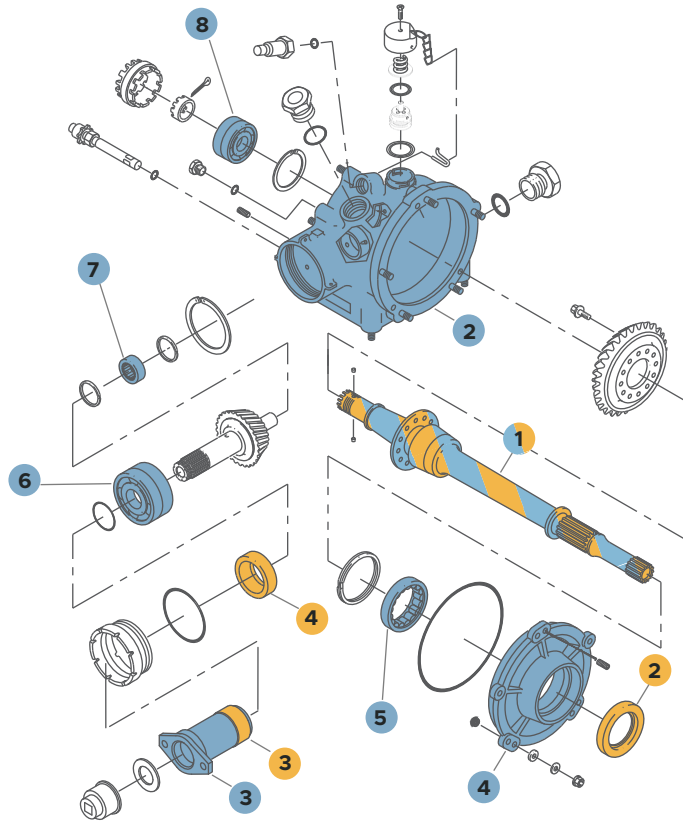
APPROVED REPLACEMENT PARTS

- 1 Output Shaft | 4AA-040-416-103
- 2 Lubricant Seal | 4AA-340-105-10X
- 3 Sleeve | 4AA-342-415-101
- 4 Input Seal | 4AA-342-412-101

TAIL ROTOR HUB & BLADE

REPAIRS & OVERHAULS

- 1 Pitch Horn Assembly | 406-012-108-XXX
407-012-112-XXX
- 2 Yoke Assembly | 406-012-102-XXX
- 3 Bearing | 407-312-100-XXX
- 4 Support | 206-011-750-XXX



HYDRAULICS

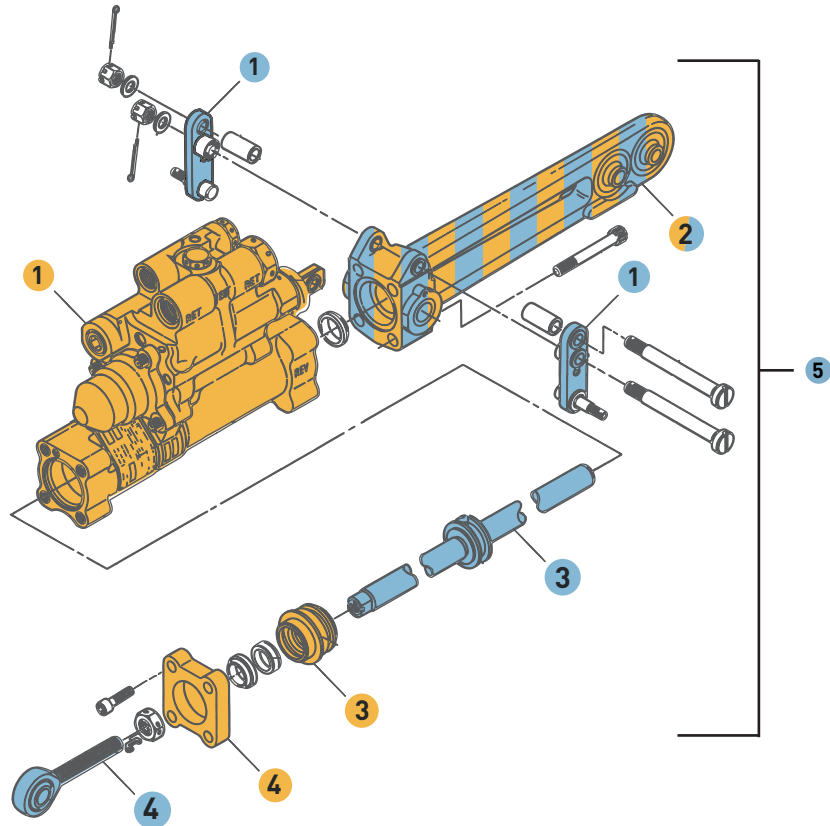
MAIN ROTOR ACTUATOR

REPAIRS & OVERHAULS

- 1 Main Input Link Assembly | 41003293-XXX
- 2 Output End Assembly | 41009852
- 3 Piston Rod Assembly | 41001863-XXX
41010568-XXX
- 4 Rod End | 41001912
- 5 M/R Servo Actuator | 206-076-062-XXX

APPROVED REPLACEMENT PARTS

- 1 Actuator Housing Assembly | 41009491-XXX
- 2 Output End Assembly | 41009473-102AA
- 3 Gland | 41009474AA
- 4 End Cap | 41009475AA



TAIL ROTOR ACTUATOR

REPAIRS & OVERHAULS

- 1 Main Input Link Assembly | 41003293-XXX
- 2 Piston Rod Assembly | 41001863-XXX
- 3 Output End Assembly | 41009852
- 4 Rod End | 41001912
- 5 Tail Rotor Actuator | 206-076-062-XXX

APPROVED REPLACEMENT PARTS

- 1 End Cap | 41009475
- 2 Gland | 41009474AA
- 3 Output End Assembly | 41009852

