



BELL 206

Able Aerospace is an industry-leader in maintenance, repair, overhaul, exchange and PMA for rotor wing aircraft around the world. Don't see the repair or overhaul you're looking for? The opportunities are endless with Able – contact our team to learn more.

MAIN ROTOR HUB & MAST

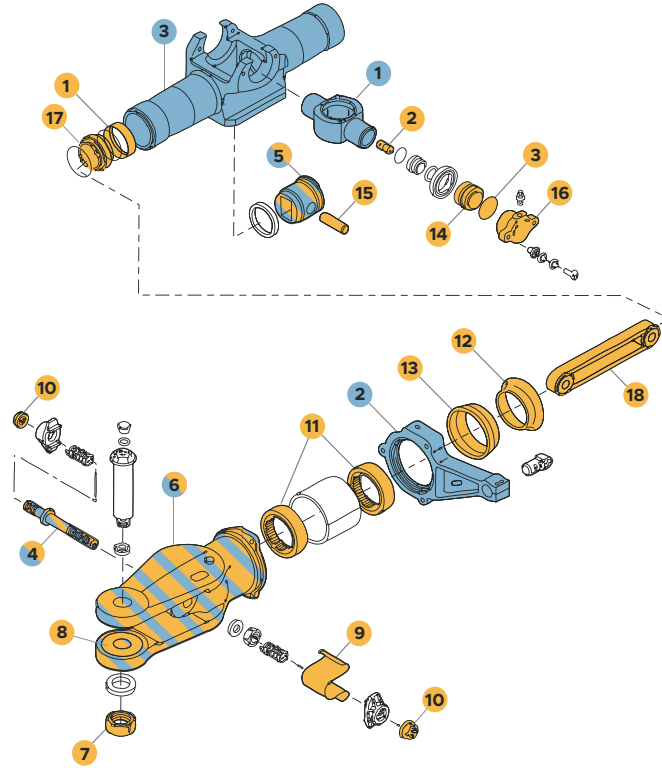
MAIN ROTOR HUB

REPAIRS & OVERHAULS

- 1 Trunnion Assembly | 206-011-113-XXX
- 2 Pitch Horn Assembly | 206-011-104-XXX
- 3 Yoke Assembly | 206-010-101-XXX
- 4 Bolt | 206-011-260-XXX
- 5 Fitting Assembly | 206-011-140-XXX
- 6 Grip Assembly | 206-011-132-XXX

APPROVED REPLACEMENT PARTS

- 1 Excluder | S30769AA
- 2 Adjusting Screw | 2AA-010-111-105
- 3 Wear Disk | 2AA-011-156-101
- 4 Bolt | 2AA-011-260-101, -103
- 5 Fitting Assembly | 2AA-011-150-119
- 6 Grip Assembly | 2AA-011-132-113A
- 7 Nut | 2AA-011-119-005
- 8 Buffer Pad | 2AA-011-134-001
- 9 Closure | 2AA-011-115-001
- 10 Nut | AA9025-14
- 11 Yoke Bearing | 2AA-011-118-001
- 12 Sleeve | O80631AA
- 13 Seal | 529052AA
- 14 Bearing | 2AA-011-111-001
- 15 Pin | 2AA-011-125-105
- 16 Pillow Block Assembly | 2AA-011-102-019
- 17 Retainer Assembly | 2AA-010-107-001
- 18 TT Strap | 2AA-310-004



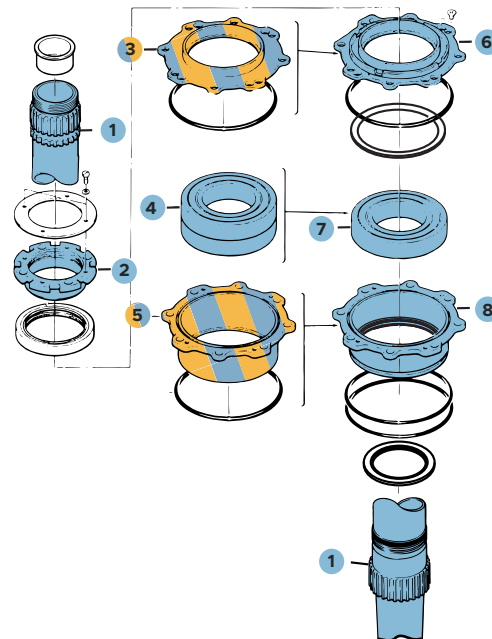
MAST

REPAIRS & OVERHAULS

- 1 Mast Assembly | 206-040-535-XXX
- 2 Nut | 206-040-078-XXX
- 3 Plate | 206-040-062-XXX
- 4 Bearing | 206-040-536-XXX
- 5 Liner | 206-040-537-XXX
- 6 Seal & Bearing Retaining Plate | 206-040-578-XXX
- 7 Ball Bearing | 206-040-576-XXX
- 8 Liner | 206-040-577-XXX

APPROVED REPLACEMENT PARTS

- 3 Plate | 2AA-040-062
- 5 Liner | 2AA-040-537



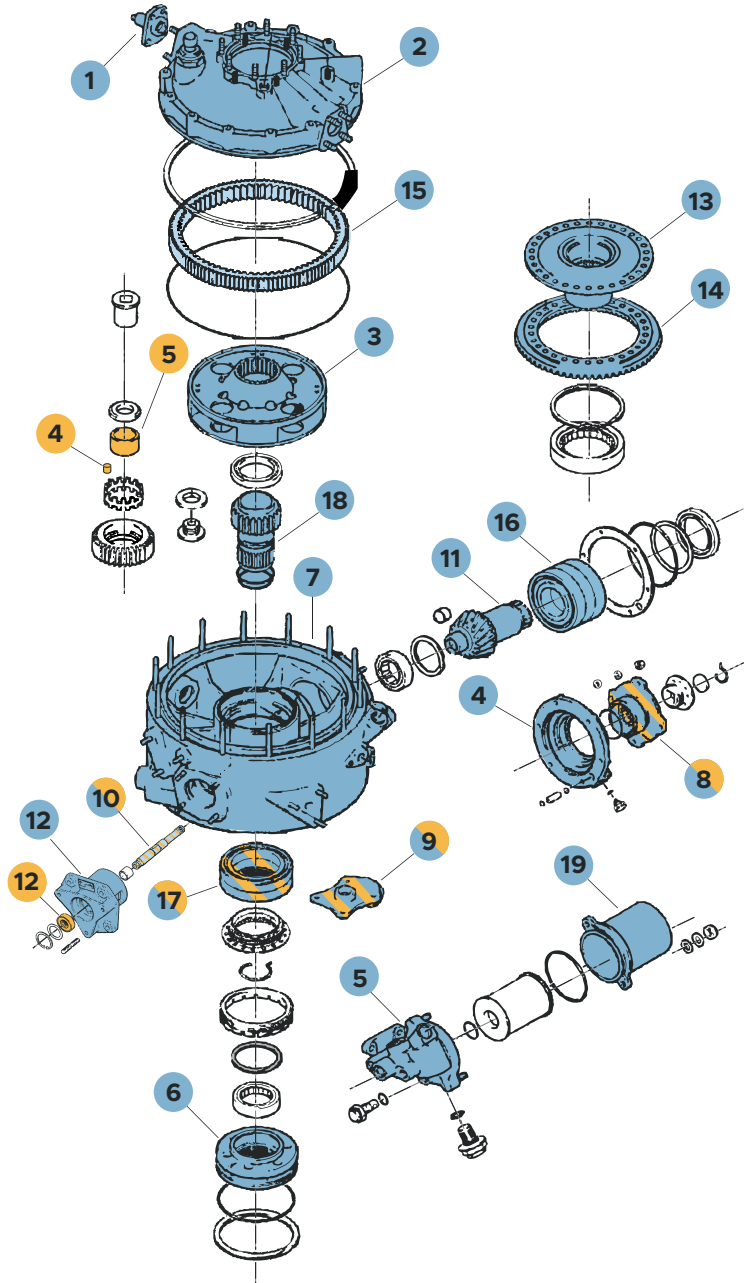
TRANSMISSION

REPAIRS & OVERHAULS

- 1 Support Spindle | 206-031-554-XXX
- 2 Upper Case Assembly | 206-040-151-XXX
- 3 Carrier Assembly | 206-040-140-XXX
- 4 Housing Assembly | 206-040-052-XXX
- 5 Oil Filter Head | 206-040-126-XXX
- 6 Support Assembly | 206-040-152-XXX
- 7 Case Assembly | 206-040-150-XXX
- 8 Adapter | 206-040-048-XXX
- 9 Drag Pin Assembly | 206-031-509-XXX
- 10 Oil Pump Shaft | 35-79501-XXXX-X
- 11 Gear Assembly | 206-040-020-XXX
- 12 Housing Assembly | 32-54004-XXXX-X
- 13 Shaft | 206-040-040-XXX
- 14 Gear | 206-040-021-XXX
- 15 Gear Internal Spur | 206-040-124-XXX
- 16 Triplex Bearing | 206-040-030-XXX
- 17 Duplex Bearing | 206-040-032-XXX
- 18 Gear | 206-040-122-XXX
- 19 Housing Assembly | 214-040-515-XXX

APPROVED REPLACEMENT PARTS

- 4 Roller Bearing Set | 2AA-040-725-003
- 5 Bearing Race | 2AA-040-132-001
- 8 Input Pinion Adapter | ABLE-0033-101
- 9 Drag Pin Assembly | 2AA-031-509-103
- 10 Oil Pump Shaft | ABLE-0182-2005-3
- 12 Oil Pump Seal | 38-79004-1045-2AA
- 17 Duplex Bearing | 2AA-040-032-105

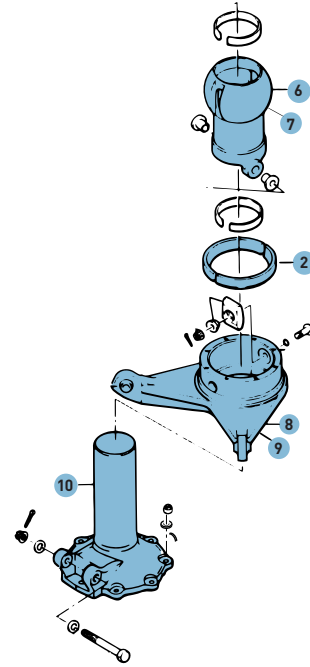
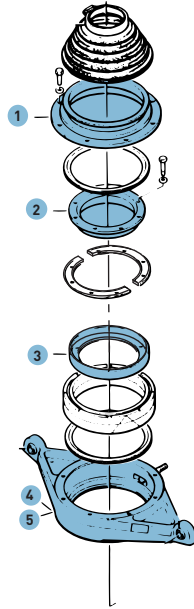


SWASHPLATE & ACCESSORIES

SWASHPLATE

REPAIRS & OVERHAULS

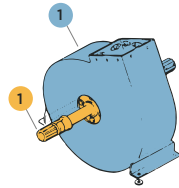
- 1 Cap Assembly | 206-010-444-XXX
- 2 Bearing Set | 206-010-440-XXX
- 3 Inner Cap | 206-010-455-XXX
- 4 Outer Ring Assembly | 206-010-453-XXX
- 5 Outer Ring | 206-010-453-XXX
- 6 Pivot Sleeve Assembly | 206-010-454-XXX
- 7 Sleeve | 206-010-454-XXX
- 8 Inner Ring Assembly | 206-010-451-XXX
- 9 Inner Ring | 206-010-451-XXX
- 10 M/R Controls Support Assembly | 206-010-452-XXX



ACCESSORIES

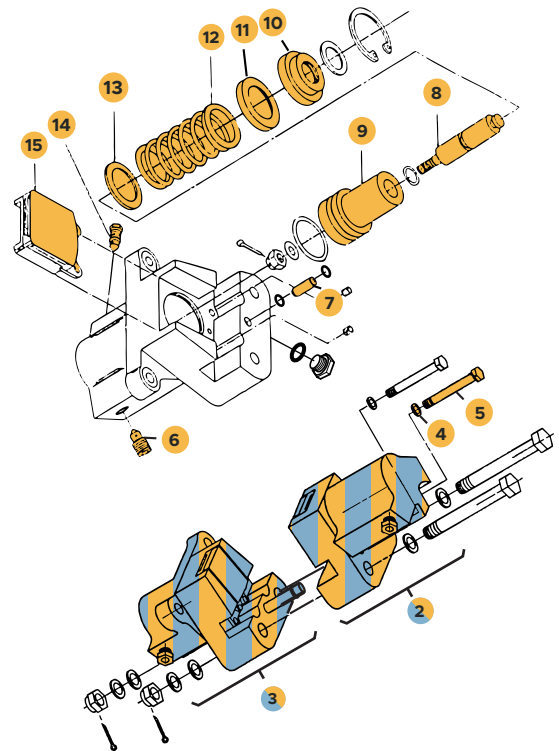
REPAIRS & OVERHAULS

- 1 Blower Assembly | 206-061-432
- 2 Caliper Housing | D0134-5
- 3 Caliper Housing | D0134-6



APPROVED REPLACEMENT PARTS

- 1 Oil Cooler Blower Shaft | 2AA-040-320-103
- 2 Caliper Housing | D0134-5
- 3 Caliper Housing | D0134-6
- 4 Washer | D0168-1
- 5 Bolt | D0166-1
- 6 Bleeder Valve | D0151-2
- 7 Transfer Tube | D0139-1
- 8 Piston Rod | D0141-1
- 9 Piston | D0135-1
- 10 Plug | D0137-1
- 11 FWD Seat | D0136-3
- 12 Spring | D0142-1
- 13 Rear Seat | D0135-1
- 14 Bleeder Valve | D0151-1
- 15 Friction Pad Assembly | D0314-1



TRGB, HUB & BLADE

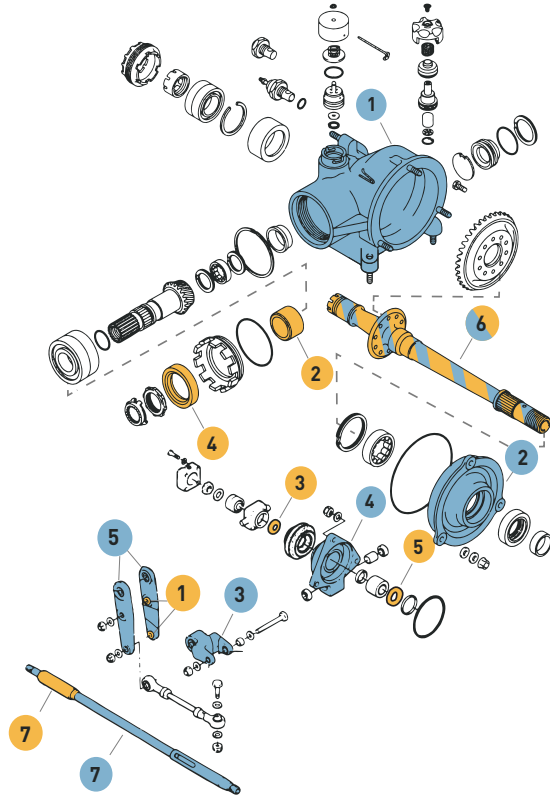
TAIL ROTOR GEARBOX

REPAIRS & OVERHAULS

- 1 Case Assembly | 206-040-425-XXX
- 2 Cap Assembly | 206-040-424-XXX
- 3 Idler Assembly | 206-011-723-XXX
- 4 Housing Assembly | 206-011-721-XXX
- 5 Lever Assembly | 206-011-722-XXX
- 6 T/R Output Shaft | 206-040-407-XXX
- 7 PC Tube | 206-011-724-XXX

APPROVED REPLACEMENT PARTS

- 1 Bushing | 2AA-011-727
- 2 Spacer | ABLE-2848-101
- 3 T/R Seal | 2AA-310-700-101
- 4 Seal | 2AA-340-206-101
- 5 T/R Seal | 535639AA-10
- 6 T/R Output Shaft | 2AA-040-439-001
- 7 Sleeve | 2AA-011-732-001



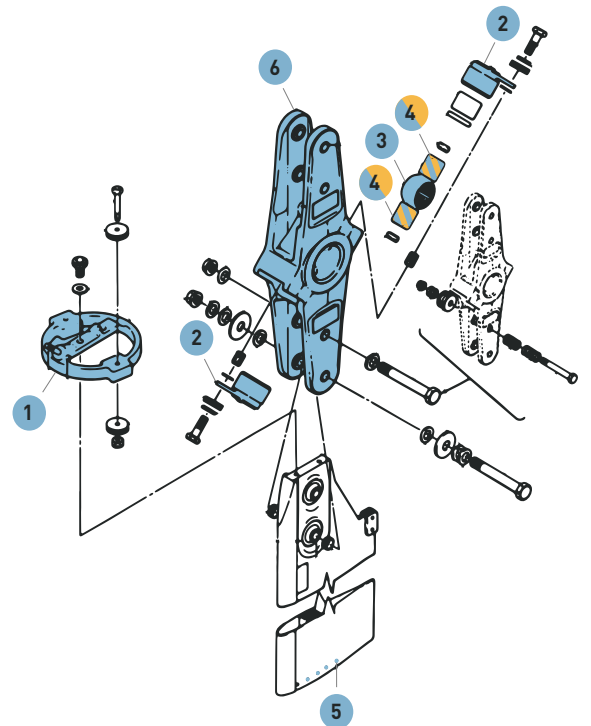
TAIL ROTOR HUB & BLADE

REPAIRS & OVERHAULS

- 1 Pitch Horn Assembly | 206-011-809-XXX
- 2 T/R Hub Assembly | 206-011-810-XXX
- 3 T/R Trunnion Assembly | 206-011-812-XXX
- 4 Race | 206-011-858-XXX
- 5 Bearing Housing | 206-011-814-XXX
- 6 T/R Hub Assembly | 206-011-810-XXX

APPROVED REPLACEMENT PARTS

- 4 Race | 047-641-175-001AA



HYDRAULICS

MAIN ROTOR ACTUATOR

REPAIRS & OVERHAULS

- 1 Output End Assembly | 41009473
- 2 Main Input Link Assembly | 41003293
- 3 Piston Rod Assembly | 41001863-001
- 4 Rod End | 41001912
- 5 M/R Actuator | 206-076-062-XXX

APPROVED REPLACEMENT PARTS

- 1 Output End Assembly | 41009473-102AA
- 2 Actuator Housing Assembly | 41009491-101AA
- 3 Gland | 41009479AA
- 4 End Cap | 41009475AA

