



MD500/MD530 MD600/MD900

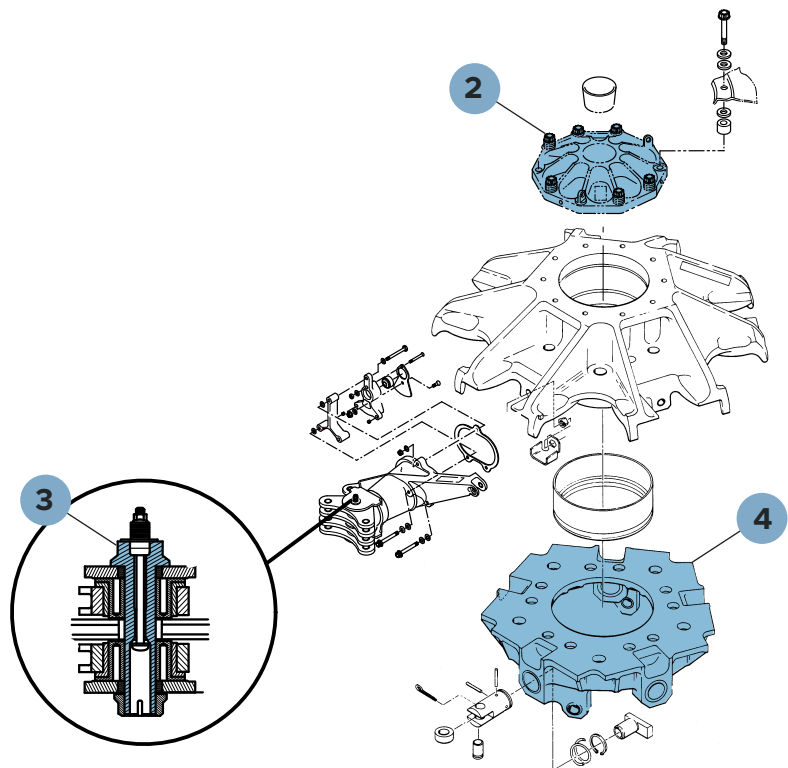
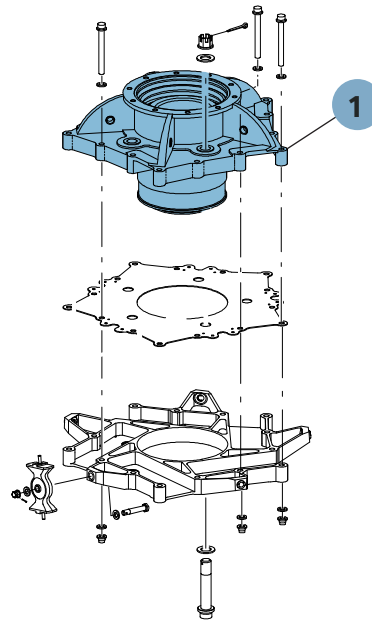
Able Aerospace is an industry-leader in maintenance, repair, overhaul and exchange for rotor wing aircraft around the world. Don't see the repair or overhaul you're looking for? The opportunities are endless with Able – contact our team to learn more.

MAIN ROTOR

MAIN ROTOR

REPAIRS & OVERHAULS

- 1 Main Rotor Upper Assembly | 900R2101006
- 2 Main Rotor Drive Shaft | 369D25510
369F5510
600N5510
- 3 Lead Lag Bolt | 369D21220
- 4 Lower Shoe | 369D21204

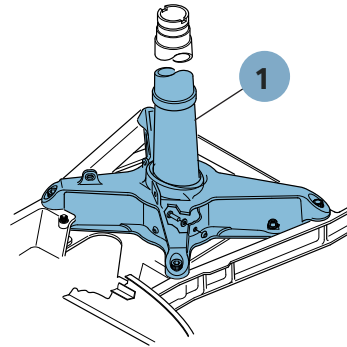


MAST & TRANSMISSION

MAST

REPAIRS & OVERHAULS

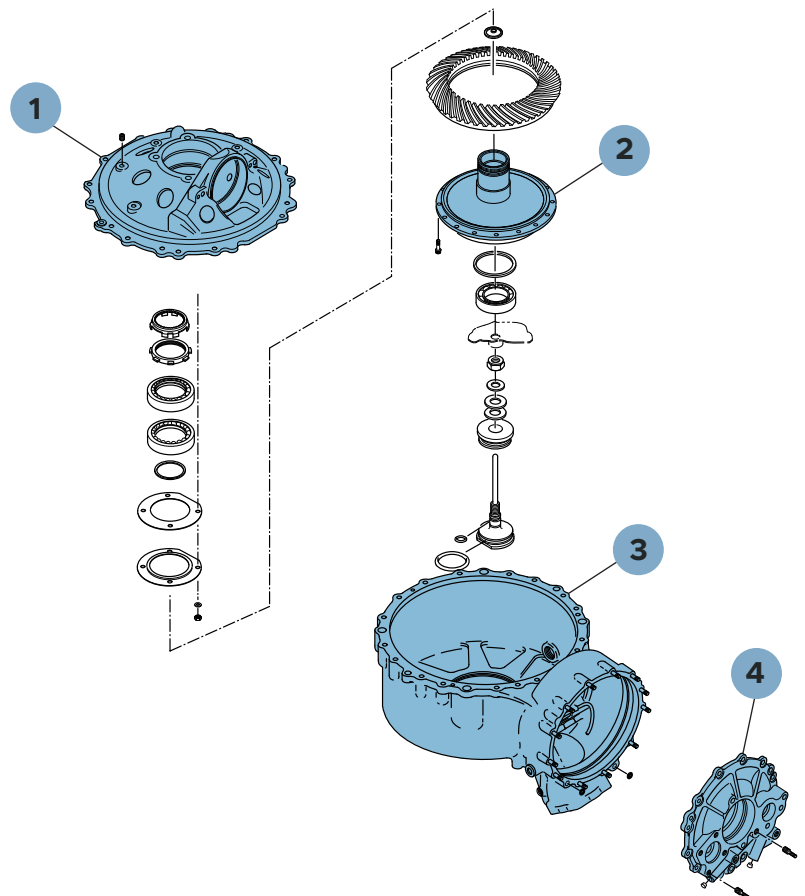
- 1 Main Rotor Mast Assembly | 369D22014



TRANSMISSION

REPAIRS & OVERHAULS

- 1 Output Drive Cover | 369D25103
369D25116
- 2 Output Shaft Assembly | 369D25132
- 3 Housing Assembly | 369D25102
369D25114
369F5101*
- 4 Tail Rotor Drive Cover Assembly | 369D25104
369D25118



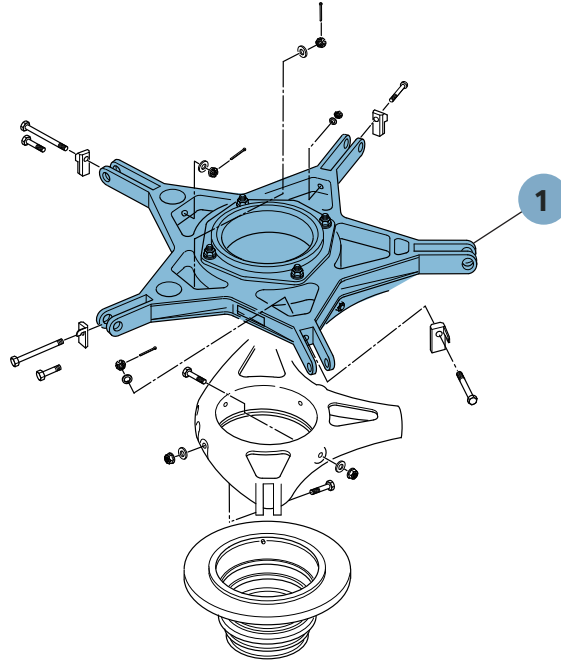
*Not Shown

SWASHPLATE & TAIL ROTOR

SWASHPLATE

REPAIRS & OVERHAULS

- 1 Rotating Swashplate | 369D27611



TAIL ROTOR SERVO ACTUATOR

REPAIRS & OVERHAULS

- 1 Housing Assembly | 369D25401
- 2 Tail Rotor Input Shaft | 369D25434
- 3 Tail Rotor Shaft | 369D25430

